








STREAMLAV LEGACY

SL01-A

Single User Lavatory System

 <p>30" x 21½" x 10½"</p>	<p>Intersan Faucets:</p>  <p>0.35 gpm</p>	 <p>IAPMO Z124-2011/CSA B45.5-11 IAPMO IGC156 ASME A112.18.2-2011/CSA B125.2-11</p>	 <p>Drain: 1 ½" Supplies: ½"</p>	 <p>Compliance: ADA TAS Alberta Building Code Ontario Barrier Free BC Building Code Code de Construction de Québec</p>
--	---	--	---	--

Material & Construction

The countertop and is made from anti-microbial solid surface. Solid surface is a composite material of acrylic polyester polymer resins and aluminum trihydrate fillers. The material is resistant to stains and burns and complies with ANSI Z124.3. Solid surface cleans easily with Scotchbrite®, household cleaners or fine grit sandpaper. Solid surface is available in 25 colors.

The Streamlav includes a heavy gauge steel powder coated support brackets.

The Streamlav™ is supplied with 1 ½" chromed brass grid strainers and drain assembly.

Anti-microbial

The Streamlav bowl and sides are manufactured with an anti-microbial agent. The agent is present both on the surface and on the inside of the material and will not dissipate or scratch off. In contact with moisture, anti-microbial ions will be released and effectively kill bacteria.

Activation & water distribution

The Streamlav is available with different sensor faucet options

Standard Equipment

One-piece bowl in anti-bacterial solid surface material, solid surface side covers, stainless steel mounting frame and skirts, and tail pieces. When supplied with Intersan's faucets the unit is also comes standard with a single supply manifold and batteries for the faucets.

Optional Equipment

The Streamlav can be supplied with any of Intersan's faucets or can be drilled for faucets by others.

LEED Compliance

When supplied with Intersan's faucets, The Streamlav contributes to meeting LEED requirements in the following categories:

- WEp1 - Water Efficiency
- WEc3 - Water Use Reduction

Each nozzle has a flow rate of 0.35 gpm. The water cycle for the pushbutton operated units lasts 10 seconds which means that 0.058 gallons of water is used per cycle.



Accessibility

Standard Height: The Streamlav is designed to meet all ADA and TAS guidelines when mounted at the standard rim height of 34".

Juvenile Height: The Streamlav complies with ADA and TAS guidelines for the various juvenile categories when mounted at the proper rim height.

The installer is responsible for providing anti-scald protection.

Technical

- Drain size: 1 ½"
- Warranty: 5 years limited warranty on material and 1 year limited warranty on components.

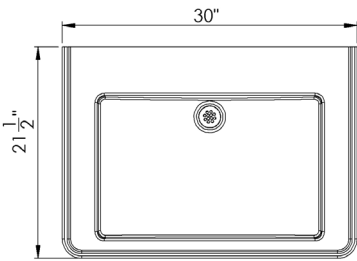
SAMPLE SPECIFICATION

Fixture shall be Intersan Streamlav single user hand wash station. Countertop is made from anti-microbial solid surface.

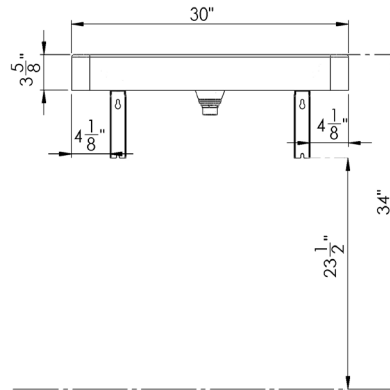


WARNING: Cancer and Reproductive Harm
www.P65Warnings.ca.gov

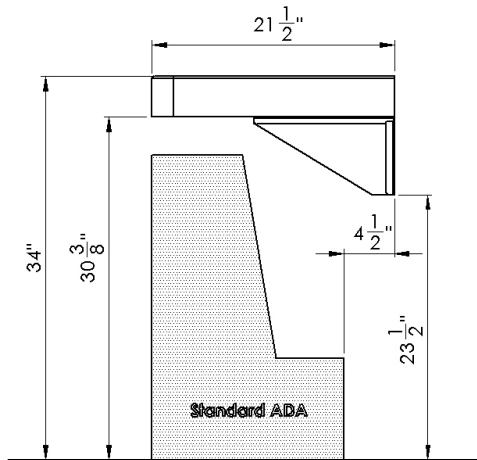
Top View



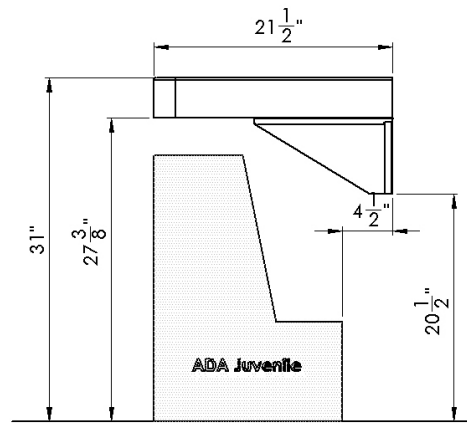
Front View



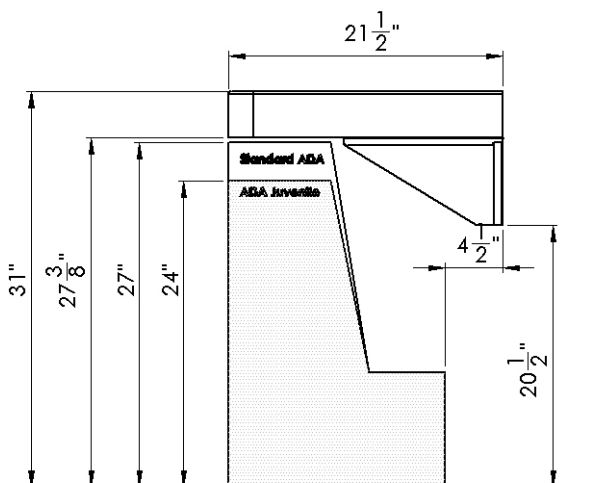
Side View Standard Height



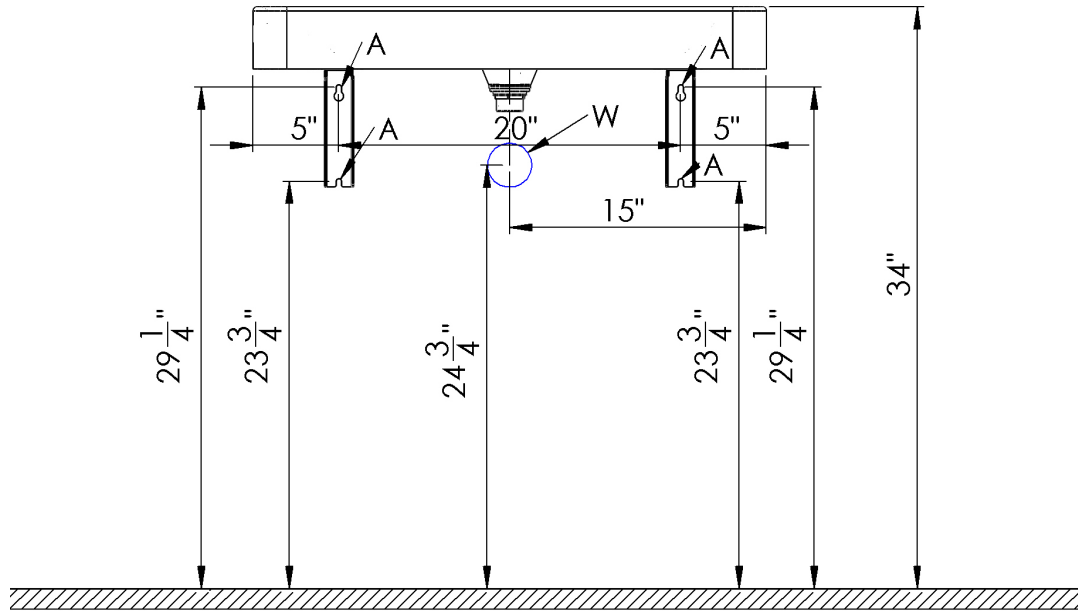
Side View Juvenile Height Ages 6-12



Ada Adult and Juvenile with Single Mounting Height



Rough-In Dimensions



Code	Description
A	3/8" Anchors
W	1-1/2" NPT Drain

Height Adjustments

Standard	Rim Height	Adjustment of A, B & W
ADA & TAS Adult	34"	None
ADA Juvenile, Age 6-12	31"	Subtract 3" from height in drawing
TAS, Grades 6 through 8 or 9	32"	Subtract 2" from height in drawing
TAS, Grades Pre-K through Grades 5 or 6	30"	Subtract 4" from height in drawing

001	Base Model Number (must specify)	
<input type="checkbox"/>	SL01-A	Two user Streamlav Legacy - No Skirt
002	Operation (must specify)	
<input type="checkbox"/>	-L06	Line 6 Faucet
<input type="checkbox"/>	-L07	Line 7 Faucet
<input type="checkbox"/>	-L08	Line 8 Faucet
<input type="checkbox"/>	-L09	Line 9 Faucet
<input type="checkbox"/>	-DEK	No Faucets
003	Supply (must specify)	
<input type="checkbox"/>	-TEM	Tempered or Cold Water
<input type="checkbox"/>	-TMV	Thermostatic Mixing Valve
<input type="checkbox"/>	-STE	240V Instantaneous Water Heater
004	Color (must specify)	
	<u>Standard Colors</u>	
<input type="checkbox"/>	-AB	Adobe Brown
<input type="checkbox"/>	-AW	Ash White
<input type="checkbox"/>	-CG	Country Green
<input type="checkbox"/>	-CO	Concrete grey
<input type="checkbox"/>	-DB	Designer Black
<input type="checkbox"/>	-ES	Egyptian Sand
<input type="checkbox"/>	-MB	Midnight Blue
<input type="checkbox"/>	-MG	Misty Grey
<input type="checkbox"/>	-PB	Pearl Black
<input type="checkbox"/>	-PW	Polar White
<input type="checkbox"/>	-SA	Sandstone
<input type="checkbox"/>	-TG	Twilight Grey
	<u>Designer Colors</u>	
<input type="checkbox"/>	-AC	Amalfi Coast
<input type="checkbox"/>	-BB	Belgian Blue
<input type="checkbox"/>	-BF	Black Forrest
<input type="checkbox"/>	-CA	Carrara Grey
<input type="checkbox"/>	-CC	Cebolla Creek
<input type="checkbox"/>	-CP	Caledonia Pearl
<input type="checkbox"/>	-PC	Portofina Crema
<input type="checkbox"/>	-PS	Paris Stone
<input type="checkbox"/>	-RS	San Cristobal Silver
<input type="checkbox"/>	-SR	Sydney Rock Oyster
<input type="checkbox"/>	-UB	Ubatuba Brown
<input type="checkbox"/>	-VM	Vienna Mist
005	Stand Alone Soap Dispensers	
<input type="checkbox"/>	-SD7	Line 7 Soap Dispenser
<input type="checkbox"/>	-SD8	Line 8 Soap Dispenser
<input type="checkbox"/>	-SD9	Line 9 Soap Dispenser
006	Faucet Options	
<input type="checkbox"/>	-HW	Low Voltage Class II Plug-In Transformer (1 per faucet)
<input type="checkbox"/>	-CS	Hole Drilling for Center Set Faucets
<input type="checkbox"/>	-4C	Hole Drilling for 4" Center Faucets
<input type="checkbox"/>	-8C	Hole Drilling for 8" Center Faucets

All information including dimensions, changes in design and material are subject to manufacturer's change without formal notice and without obligation. Intersan assumes no responsibility for use of superseded or voided information. Verify all rough-in information before installation. It is the responsibility of the installer to conform with local and national codes.