








Saniwave

SANIW

Modular Lavatory System

 <p>Bowl: 18¾" x 21⁵/₈" x 15½"</p> <p>Bowl with Head: 18¾" x 21⁵/₈" x 20³/₈"</p>	 <p>0.35 gpm</p>	 <p>IAPMO Z124-2011/CSA B45.5-11 IAPMO IGC156 ASME A112.18.2-2011/CSA B125.2-11</p>	 <p>Drain: 1 ½" Supplies: ½" IPS Inlet Pressure: 20-100 psi</p>	 <p>Compliance: ADA TAS Alberta Building Code Ontario Barrier Free BC Building Code</p>
---	---	--	--	---

Material & Construction

The innovative bowl and trap cover are made from anti-microbial solid surface. Our solid surface is a composite material of acrylic polyester polymer resins and aluminum trihydrate fillers. The material is resistant to stains and burns and complies with ANSI Z124.3. Solid surface cleans easily with Scotchbrite®, household cleaners or fine grit sandpaper. The Saniwave is available in [25 colors](#).

The bowl and skirt are molded in one piece and a powder coated steel plate will enclose the fixture from the bottom. All the working components of the unit are mounted in a polished stainless steel water distribution head with vandal resistant locks.

Anti-microbial

The Saniwave bowl and shelves are manufactured with an anti-microbial agent. The agent is present both on the surface and on the inside of the material and will not dissipate or scratch off. In contact with moisture, anti-microbial ions will be released and effectively kill bacteria.

Standard Equipment

Fixture in anti-bacterial solid surface material, steel mounting brackets, steel access panel, and tail piece..

Activation & Water Distribution

Infrared detection is standard (Model#: SANIW-SEN). The system is operated by a 6V lithium battery and reacts to hands detection field. As an alternate the unit can be supplied with a transformer and plug (Option suffix: -HW).

As an alternate the water distribution head can be equipped with pushbutton metering valves (Model#: SANIW-INH). The timing of the water is set at 10 seconds. The Saniwave can also be activated by electronic piezo touch buttons (Model#: SANIW-PZO). A very light touch on the button will open the solenoid valve. The water will flow for 10 seconds and can be shut off before earlier. An automatic flushing cycle that flushes the unit every 24 hrs can be programmed to help prevent the growth of legionnaires' bacteria (Option Suffix: -FC).

The Saniwave® can also be supplied with AquaDesign's Line 6, Line 7, Line 8 or Line 9 faucets.

Soap Dispenser

The Saniwave is available with an integral hands-free soap dispenser. This soap dispenser will supply 1.2 ml of concentrated soap, immediately followed by the flow of water. This soap system works on the pressure of water and doesn't require any extra power source. The pushbutton and piezo units are available with a pushbutton soap dispenser that is fully integrated in the water distribution head.

Shelves can be pre-cut to allow for the installation of 2 or more fixtures at either 30" or 40" centers.

LEED Compliance

When supplied with AquaDesign's faucets, The Saniwave contributes to meeting LEED requirements in the following categories:

- WEp1 - Water Efficiency
- WEc3 - Water Use Reduction

The nozzles have a flow rate of 0.35 gpm.

Application



The Saniwave is not to be used to dispense water for human consumption either by drinking or use in the preparation of food or beverages.

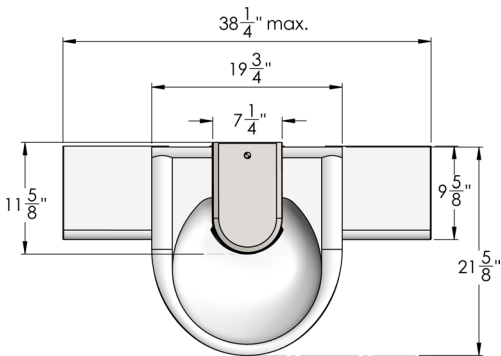
Warranty

5 years limited warranty on material, 3 years limited warranty on components from spray heads, 1 year limited warranty on AquaDesign faucets.

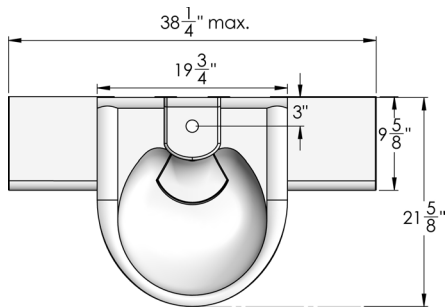
SAMPLE SPECIFICATION

Fixture shall be AquaDesign Saniwave® handwash station (specify model and optional equipment). The bowl and trap cover is to be made from anti-bacterial solid surface material and shall conform with ANSI Z124.3. The water distribution head shall with a polished stainless steel and shall be activated by *sensor/push button/piezo touch button/electronic faucet*, and will be equipped with a thermostatic mixing valve, check valves and screens, 0.35 gpm vandal resistant nozzle and (optional) hands-free soap system. The fixture shall have a warranty of 5 years on material and 3 years on components.

Top View

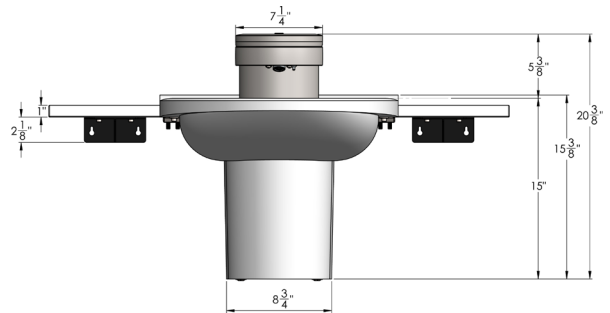


with water distribution head

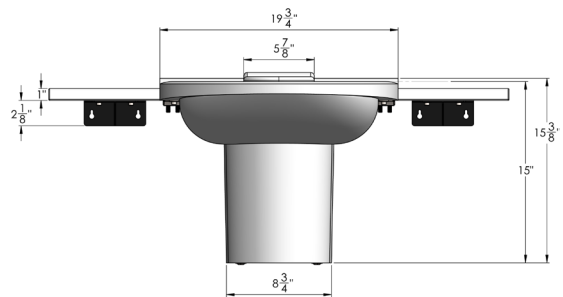


for faucets

Front View

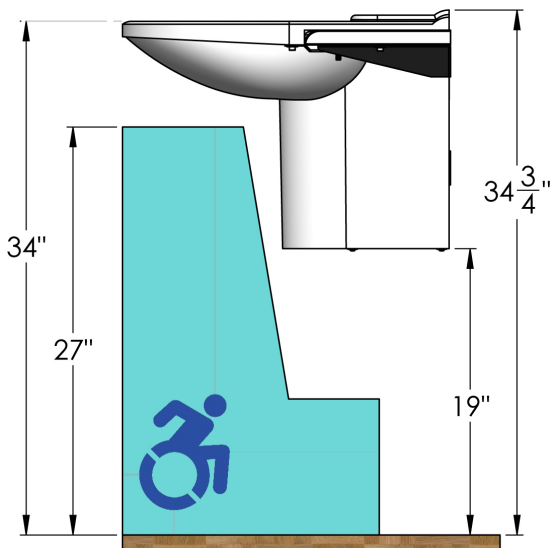


with water distribution head

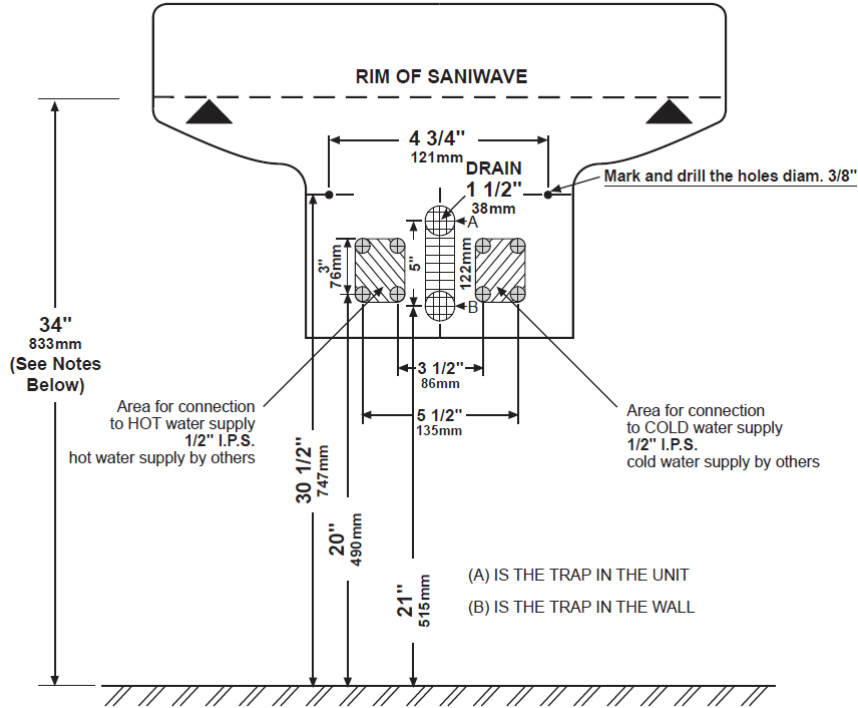


for faucets

Side View Standard Height



Rough-In Dimensions



Notes:

1. Electrical receptacle must be wired to a GFCI protected circuit. Fixture must be earth grounded.
2. Consult local electrical code for need and use of extra electrical conduit box.

Height Adjustments

Standard	Rim Height	Adjustment of A, B & W
ADA & TAS Adult	34"	None
ADA Juvenile, Age 6-12	31"	Subtract 3" from height in drawing
TAS, Grades 6 through 8 or 9	32"	Subtract 2" from height in drawing
TAS, Grades Pre-K through Grades 5 or 6	30"	Subtract 4" from height in drawing
Alberta and BC Building Code	865 mm	None
Ontario Barrier Free	840 mm	Subtract 24 mm (1") from height in Drawing

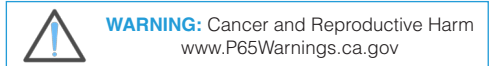
001 Base Model Number (must specify)		
<input type="checkbox"/>	SANIW	Saniwave Modular Lavatory System
002 Operation (must specify)		
<input type="checkbox"/>	-SEN	Sensor Operated Spray head
<input type="checkbox"/>	-INH	Pushbutton Spray Head
<input type="checkbox"/>	-PZO	Piezo Touch Button Spray Head
<input type="checkbox"/>	-L06	Line 6 Faucet
<input type="checkbox"/>	-L07	Line 7 Faucet
<input type="checkbox"/>	-L08	Line 8 Faucet
<input type="checkbox"/>	-L09	Line 9 Faucet
<input type="checkbox"/>	-BFP	Faucet Plate (for center set faucets only)
003 Soap (must specify)		
<input type="checkbox"/>	-N	No Soap
<input type="checkbox"/>	-L	Integral Liquid Soap (only for spray heads)
004 Supply (must specify)		
<input type="checkbox"/>	-TEM	Tempered or Cold Water
<input type="checkbox"/>	-TMV	Thermostatic Mixing Valve
005 Color (must specify)		
<u>Standard Colors</u>		
<input type="checkbox"/>	-AB	Adobe Brown
<input type="checkbox"/>	-AW	Ash White
<input type="checkbox"/>	-CG	Country Green
<input type="checkbox"/>	-CO	Concrete Grey
<input type="checkbox"/>	-DB	Designer Black
<input type="checkbox"/>	-ES	Egyptian Sand
<input type="checkbox"/>	-MB	Midnight Blue
<input type="checkbox"/>	-MG	Misty Grey
<input type="checkbox"/>	-PB	Pearl Black
<input type="checkbox"/>	-PW	Polar White
<input type="checkbox"/>	-SA	Sandstone
<input type="checkbox"/>	-TG	Twilight Grey
<u>Designer Colors</u>		
<input type="checkbox"/>	-AC	Amalfi Coast
<input type="checkbox"/>	-BB	Belgian Blue
<input type="checkbox"/>	-BF	Black Forrest
<input type="checkbox"/>	-CA	Carrara Grey
<input type="checkbox"/>	-CC	Cebolla Creek
<input type="checkbox"/>	-CP	Caledonia Pearl
<input type="checkbox"/>	-PC	Portofina Crema
<input type="checkbox"/>	-PS	Paris Stone
<input type="checkbox"/>	-RS	San Cristobal Silver
<input type="checkbox"/>	-SR	Sydney Rock Oyster
<input type="checkbox"/>	-UB	Ubatuba Brown
<input type="checkbox"/>	-VM	Vienna Mist
006 Other Options		
<input type="checkbox"/>	-HW	Plug-in Transformer
<input type="checkbox"/>	-SWFC	Stainless Side Finishing Cover (in case no shelves are needed)

Approved by:

Name: _____

Title: _____

Signature: _____



All information including dimensions, changes in design and material are subject to manufacturer's change without formal notice and without obligation. AquaDesign assumes no responsibility for use of superseded or voided information. Verify all rough-in information before installation. It is the responsibility of the installer to conform with local and national codes.