



Modus

BCL/BCR

Baby Changer for Modus Lavatory System

 <p>42" x 22^{1/8}" x 15^{3/8}"</p>	 <p>Compliance: ADA TAS Alberta Building Code Ontario Barrier Free (A-model, CAN-version) BC Building Code Code Construction Québec</p>
--	---

Material & Construction

The Modus baby changing table is made from anti-microbial solid surface. AquaDesign's solid surface is a composite material made from acrylic polyester polymer resins and aluminum trihydrate fillers. The material is resistant to stains and burns and complies with ANSI Z124.3. Solidguard cleans easily with Scotchbrite®, household cleaners or fine grit sandpaper. The baby changer is available in [25 colors](#).

The Modus baby changing table includes heavy gauge steel support brackets.

Anti-microbial

The Modus baby changing station is manufactured with an anti-microbial agent. The agent is present both on the surface and on the inside of the material and will not dissipate or scratch off. In contact with moisture, anti-microbial ions will be released and effectively kill bacteria.

Standard Equipment

Baby changing table in anti-bacterial solid surface material, steel mounting bracket, safety strap, and warning sticker.

Configurations

The baby changing table option can be attached to any Modus lavatory. The baby changing table can be installed on both the left or right side of the lavatory

Accessibility

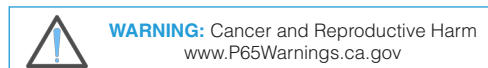
Standard Height: The Modus baby changing table is designed to meet all ADA and TAS guidelines when the Modus Vivendi lavatory is mounted at the standard rim height of 34".

Warranty

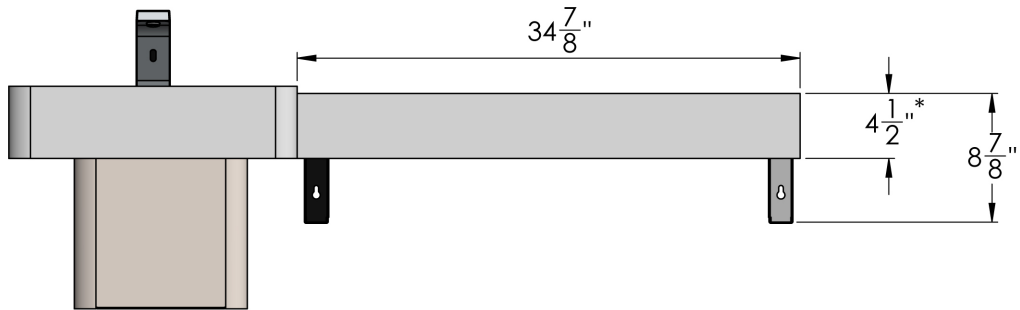
5 years limited warranty on material and 3 years limited warranty on components.

SAMPLE SPECIFICATION

Fixture shall include an integral baby changing table with safety strap. The baby changing table shall be 42" by 22". The baby changing table shall be made of anti-microbial solid surface.

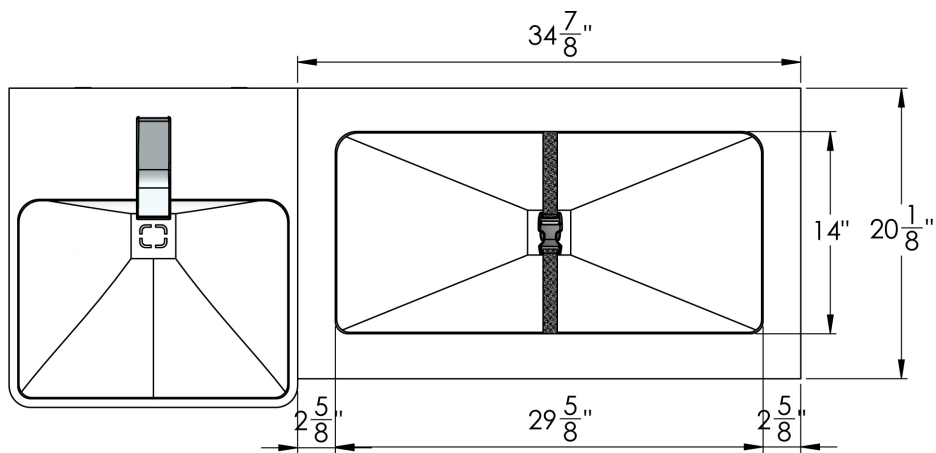


Front View

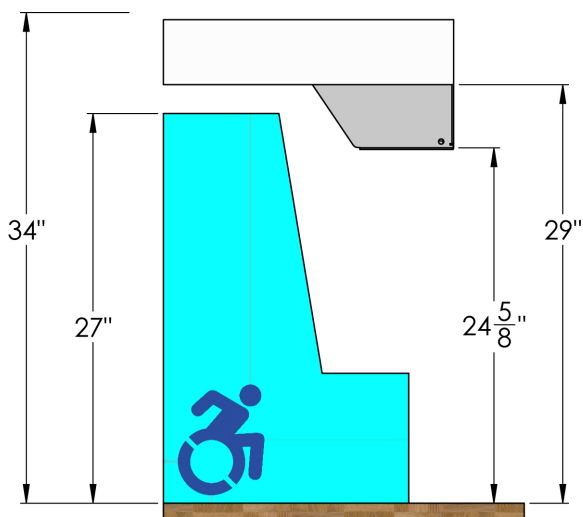


* CAN-model: 91 mm

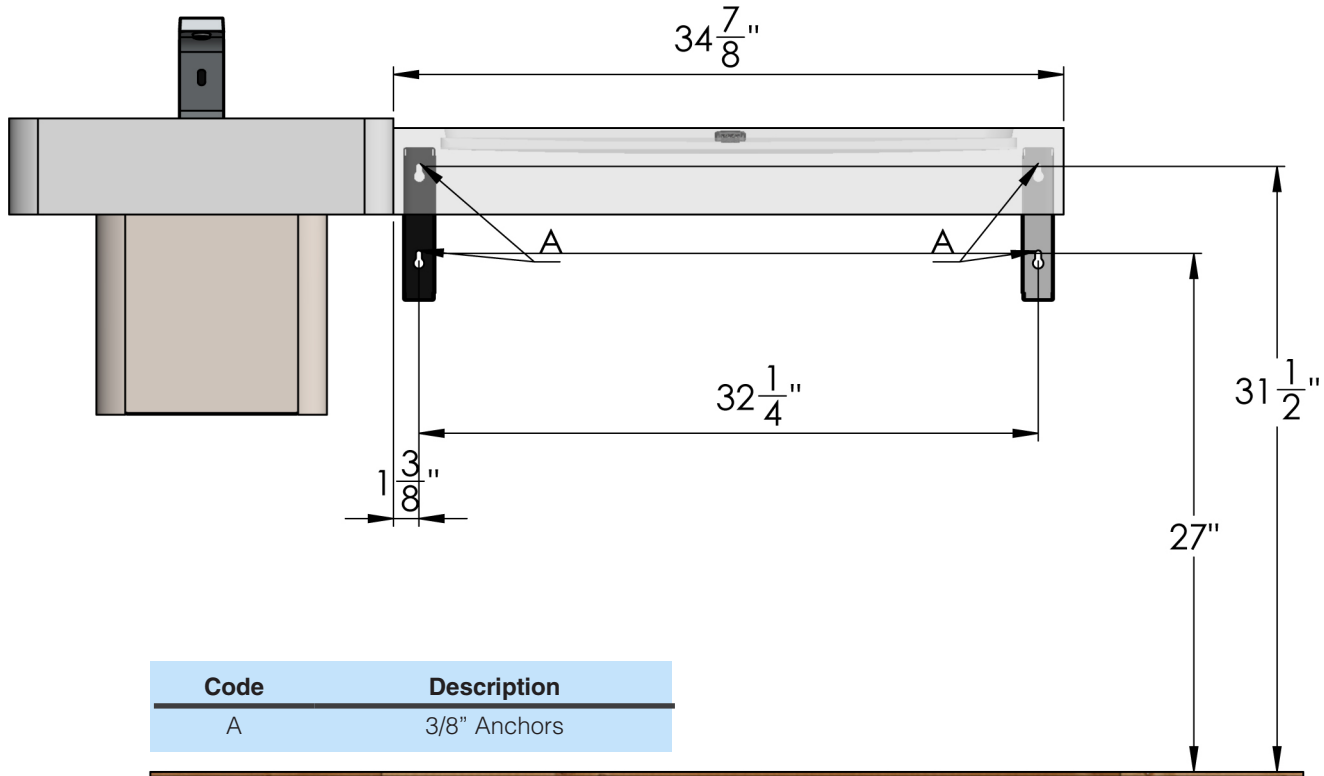
Top View



Side View



Rough-In



Be sure to use anchors with a **pull out strength of 1000 lbs.** Additional reinforced backing behind the wall might be required to properly mount the baby changing station and lavatory system.



Every Modus with the baby changing station option is supplied with a warning sticker. It is very important that the sticker is placed right above the baby changing station. Failing to do so might result in serious injury.

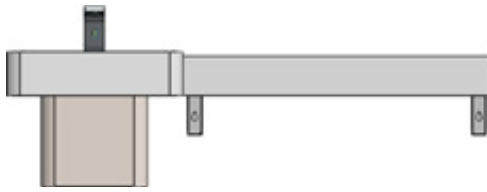


Height Adjustments

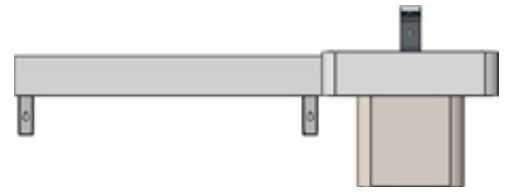
Standard	Rim Height	Adjustment of A, B & W
ADA & TAS Adult	34"	None
ADA Juvenile, Age 6-12	31"	Subtract 3" from height in drawing
TAS, Grades 6 through 8 or 9	32"	Subtract 2" from height in drawing
TAS, Grades Pre-K through Grades 5 or 6	30"	Subtract 4" from height in drawing
Alberta and BC Building Code	865 mm	None
Ontario Barrier Free	840 mm	Substract 24 mm (1") from height in Drawing
Code de Construction Québec	865 mm	Aucune

Configurations

with MOD20 Lavatory

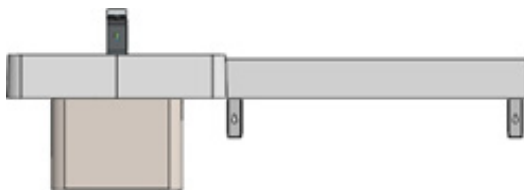


MOD20-SR-MODBCR

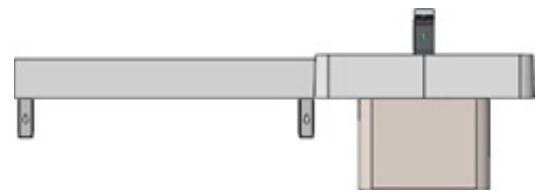


MOD20-SL-MODBCL

with MOD25 Lavatory

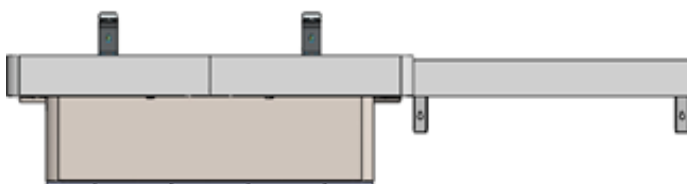


MOD25-SR-MODBCR

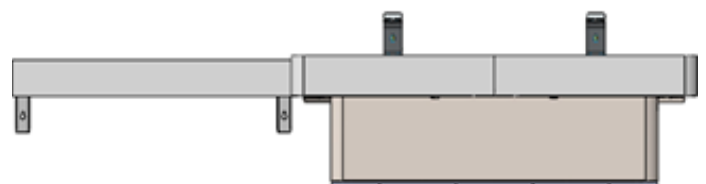


MOD25-SL-MODBCL

with MOD50 Lavatory



MOD50-SR-MODBCR



MOD50-SL-MODBCL

001 Base Model Number (must specify)		
<input type="checkbox"/>	MODBCL	Modus Baby Changer - Left Side of Lavatory
<input type="checkbox"/>	MODBCR	Modus Baby Changer - Right Side of Lavatory
002 Color (must specify)		
<u>Standard Colors</u>		
<input type="checkbox"/>	-AB	Adobe Brown
<input type="checkbox"/>	-AW	Ash White
<input type="checkbox"/>	-CG	Country Green
<input type="checkbox"/>	-CO	Concrete Grey
<input type="checkbox"/>	-DB	Designer Black
<input type="checkbox"/>	-ES	Egyptian Sand
<input type="checkbox"/>	-MB	Midnight Blue
<input type="checkbox"/>	-MG	Misty Grey
<input type="checkbox"/>	-PB	Pearl Black
<input type="checkbox"/>	-PW	Polar White
<input type="checkbox"/>	-SA	Sandstone
<input type="checkbox"/>	-TG	Twilight Grey
<u>Designer Colors</u>		
<input type="checkbox"/>	-AC	Amalfi Coast
<input type="checkbox"/>	-BB	Belgian Blue
<input type="checkbox"/>	-BF	Black Forrest
<input type="checkbox"/>	-CA	Carrara Grey
<input type="checkbox"/>	-CC	Cebolla Creek
<input type="checkbox"/>	-CP	Caledonia Pearl
<input type="checkbox"/>	-PC	Portofina Crema
<input type="checkbox"/>	-PS	Paris Stone
<input type="checkbox"/>	-RS	San Cristobal Silver
<input type="checkbox"/>	-SR	Sydney Rock Oyster
<input type="checkbox"/>	-UB	Ubatuba Brown
<input type="checkbox"/>	-VM	Vienna Mist

Approved by:

Name: _____

Title: _____

Signature: _____

All information including dimensions, changes in design and material are subject to manufacturer's change without formal notice and without obligation. AquaDesign assumes no responsibility for use of superseded or voided information. Verify all rough-in information before installation. It is the responsibility of the installer to conform with local and national codes.